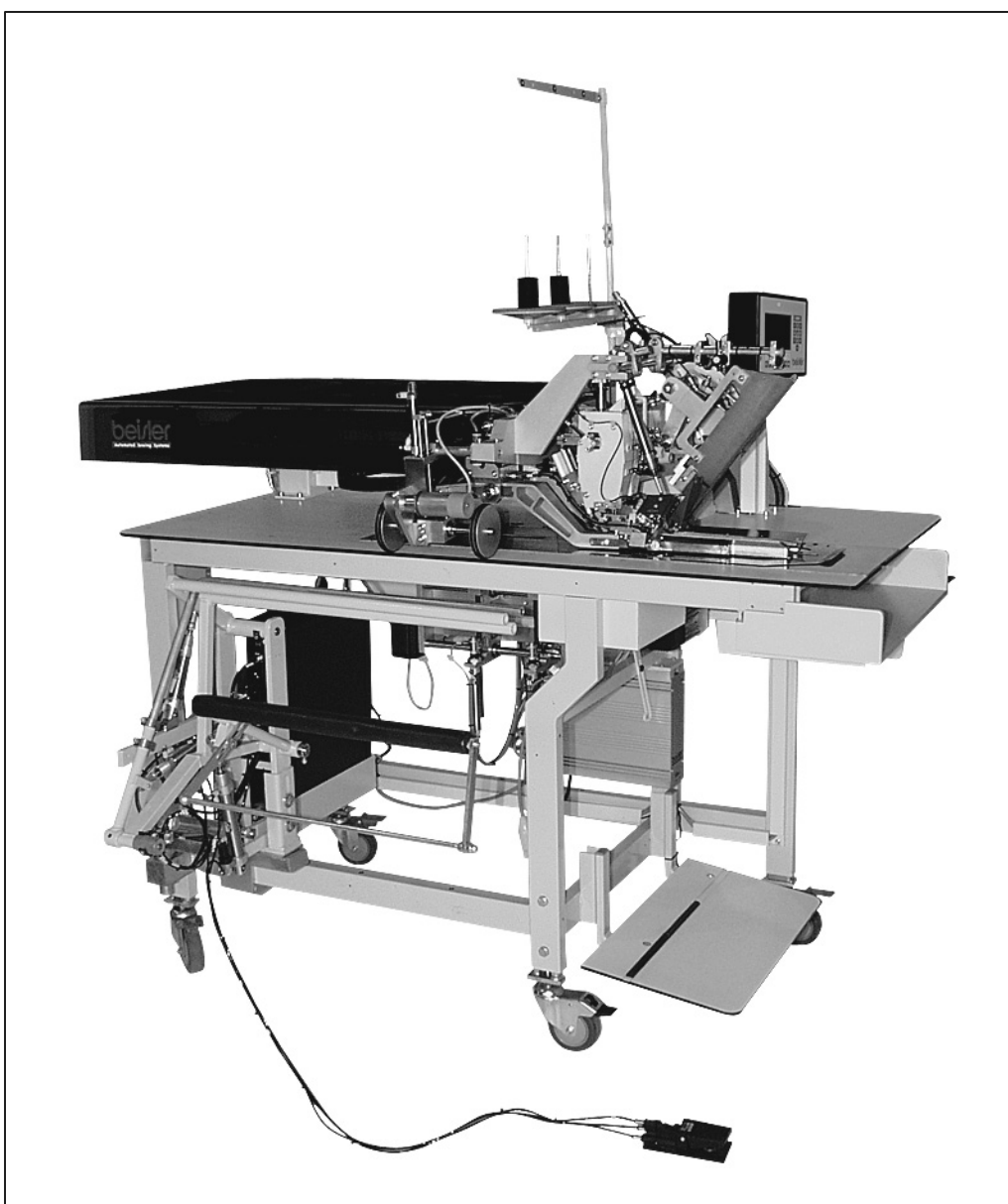


Working Instructions

Universal Pocket Piping Machine BASS 3200



Contents of the working instructions

The working instructions are divided into four sections:

A. General notes

Safety instructions for the operating and service personnel and for the operator of the machine.

B. Operating instructions

Instructions for the personnel operating and handling the machine.

C. Service instructions

Instructions for the personnel in charge of the initial start-up, setting up and service of the machine.

D. Programming instructions

Instructions for the service personnel in charge of preparing and setting up the machine.

Scope of the working instructions

These working instructions describe the universal pocket piping machine BASS 3200 of Automated-Sewing-Systems AG and apply only to those machine parts and components that are contained in the scope of delivery of the universal pocket piping machine BASS 3200.

They do not apply to accessories or machine parts (e.g. sewing head) from third parties that the machine is equipped or retrofitted with. For those components, the working instructions of the respective manufacturer or supplier apply.

Section A

General notes

Contents

A.1 General safety instructions	A-5
A.1.1 Exclusion of liability	A-5
A.1.2 Copyright	A-5
A.1.3 Important information for the operator	A-6
A.1.4 Warranty	A-6
A.1.5 Important information for the operating personnel	A-7
A.1.6 Important information for the service personnel	A-7
A.2 Symbols	A-8
A.2.1 Symbols used in the working instructions	A-8
A.2.2 Symbols used on the machine	A-8
A.3 Use of the machine	A-9
A.3.1 Correct use	A-9
A.3.2 Incorrect use	A-9
A.4 Safety requirements	A-10
A.4.1 Standards and directives	A-10

A.1 General safety instructions

A.1.1 Exclusion of liability

A-S-S AG warrants the faultlessness of the product as set forth by their advertisements, product information and these working instructions.

Other product characteristics are not warranted.

A-S-S AG is not responsible for the profitability or for the correct function of the universal pocket piping machine BASS 3200 if it is used for other purposes than those defined in section „Correct use“.

A-S-S AG is not responsible for damage that arises from the use of non-defined and non-approved spare parts or accessories.

A.1.2 Copyright

© 2000 A-S-S AG, Aschaffenburg

Universal pocket piping machine BASS 3200

The universal pocket piping machine BASS 3200 and all related parts are protected by copyright. Any reproduction of the machine will be prosecuted.

Working instructions

These working instructions are protected by copyright. No part of the working instructions, including figures and tables, may be reproduced or translated in any form or by any means, electronic or mechanical, without the express written permission of A-S-S AG.

ASS Automated Sewing Systems GmbH
Bollenwaldstr. 110
D-63743 Aschaffenburg
Deutschland

Phone: ++ 49 / (0) 6028 / 9916-0
Fax: ++ 49 / (0) 6028 / 99 83 03

info@assag.de
www.assag.de

A.1 General safety instructions

A.1.3 Important information for the operator!

This machine has been manufactured in keeping with the latest technological developments and is operationally safe. However, it may present potential hazards, particularly if it is operated by inadequately trained personnel or if it is not used correctly:

- For personnel operating and handling the machine, the operator must prepare written instructions in a reasonable form and in the language of the operating personnel based on these working instructions (Germany: Accident Prevention Regulations UVV VGB 1 § 7.2).
- Use the operating instructions to familiarize the operating personnel with the functions, operation, and care of the machine and check to see if the operating personnel fully understands these instructions.
- Use the service instructions to familiarize the service personnel with the setting up and maintenance of the machine.
- For any modifications of the machine that have not been approved by A-S-S AG in writing, the operator is fully responsible.
- The contents of the working instructions are subject to change without further notice.
- Concerning translations into foreign languages, the German version of these working instructions is binding.
- Should you encounter problems that are not mentioned in these working instructions, please contact your supplier immediately for your own safety. Please do not hesitate to contact ASS if you have any suggestions that help to improve this product.
- **Keep these working instructions close to the machine so that safety instructions and information on operation, setting-up, and maintenance are always accessible.**

A.1.4 Warranty

A-S-S AG warrants the safety, operativeness, and repair without charge of the universal pocket piping machine BASS 3200 for a period of 6 months under the condition that:

- the machine is used exclusively for the intended purpose and serviced in accordance with the information in these working instructions,
- modifications of the machine are carried out only with prior written approval of A-S-S AG,
- only original spare parts or accessories approved by A-S-S AG are used. For a complete list of all approved spare parts, please contact A-S-S AG.

If the machine is used for more than 10 hours per day (shift operation), the warranty period is reduced to 3 months.

The warranty period starts with the delivery of the machine to the operator.

A.1 General safety instructions

A.1.5 Important information for the operating personnel!

Please note that any work to the universal pocket piping machine BASS 3200 must be carried out only by trained operating personnel.

- Operating personnel means persons:
 - that have been given initial instructions for sewing machines and that have been trained for the operation and handling of the universal pocket piping machine BASS 3200 on the basis of these operating instructions,
 - that have been informed about potential risks arising from their work with the machine,
 - that are capable of assessing their work with the machine due to occupational experience and instruction of the safety regulations and of recognizing potential hazards during work.
- Cleaning of the machine or of machine parts must be performed only by personnel that has been informed about potential hazards during the cleaning work.
- Prior to the initial operation of the universal pocket piping machine BASS 3200, read the operating instructions carefully so that you can make full use of the advantages of the machine and to prevent damage.

A.1.6 Important information for the service personnel!

Please note that service work to the universal pocket piping machine BASS 3200 must be carried out only by authorized and adequately trained expert personnel.

- Expert personnel means persons:
 - that have acquired their expertise by a special training in machine technology or electrical engineering or by a special advanced training or a comparable qualification,
 - that have acquired the knowledge required to perform all works for setting up and servicing the universal pocket piping machine BASS 3200 from a training by A-S-S AG,
 - that are capable of assessing their work with the machine due to occupational experience and instruction of the safety regulations and of recognizing potential hazards during work.
- Prior to carrying out any service work to the universal pocket piping machine BASS 3200, read the entire working instructions carefully so that you can make full use of the advantages of the machine and to prevent damage.

A.2 Symbols

A.2.1 Symbols used in the working instructions



is used if non-observance may cause serious or even lethal injuries.



is used if non-observance may cause medium to minor injuries or damage.



is used for hints and useful information.

A.2.2 Symbols used on the machine



Caution! Observe working instructions.



Warning! Prior to opening, pull out power plug.

A.3 Use of the machine

A.3.1 Correct use

- The universal pocket piping machine BASS 3200 is a sewing machine for cutting and sewing straight and slanted pocket flaps with or without flaps. The sewing of a zipper may be integrated in the sewing process.
- The sewing and cutting unit can process all commercially available materials for outerwear.
- The machine has been designed for continuous operation in industry.
- The universal pocket piping machine BASS 3200 has been tested for electromagnetic compatibility and is suited for installation in industrial operating rooms.

A.3.2 Incorrect use

- The universal pocket piping machine BASS 3200 must not be operated in rooms that are not in accordance with the location requirements.
- The universal pocket piping machine BASS 3200 must not be operated in the vicinity of devices or systems that generate strong magnetic fields as otherwise the function of the program control may be impaired.

A.4 Safety requirements

A.4.1 Standards and directives

- DIN EN, Part 1:1991-11, Part 2:1995-06
Safety of machines.
- DIN EN 60601, Part 1:1994-05
Safety regulations for electrically operated measuring and control installations, general requirements.
- DIN EN 50178 (VDE 0160): 1998-04
Equipment of power systems with electronic devices.
- DIN EN 50082 (VDE 0839) Part 2:1997-11
Electromagnetic compatibility, basic specification, immunity to interference.
TPart 1: Domestic, business and commerce, small enterprises.
Part 2: Industry.
- DIN EN 60204 (DIN VDE 0113): 1993-06
Electrical equipment of industrial machines.